

COLLAR IDENTIFICATION

MACHINE NAME: _____

MACHINE MODEL: _____

MACHINE SIZE: _____

OEM# (if available): _____

1.) Note any part numbers or markings on the collar:

2.) Is collar used with (circle one): slitter **or** creaser

3.) Please provide slitter or creaser part number, if available:
(for example, Zenith # or OEM #) _____

Please complete the following information:

- A. Inside Diameter (I.D.) = _____
- B. Outside Diameter (O.D.) = _____
- C. Width = _____
- D. Shoulder Width = _____
- E. Shoulder Diameter = _____

4.) Hole information:

- Quantity of holes? _____
- F. Tap size _____
- G. Bolt Circle (diameter) = _____
- H. Distance between holes = _____
- I. Distance between holes = _____
- J. Distance between holes = _____
- K. Distance from I.D. to hole edge _____
- L. Clamp bolt size _____
- Size of hex wrench used _____

4) Is there a keyway? _____

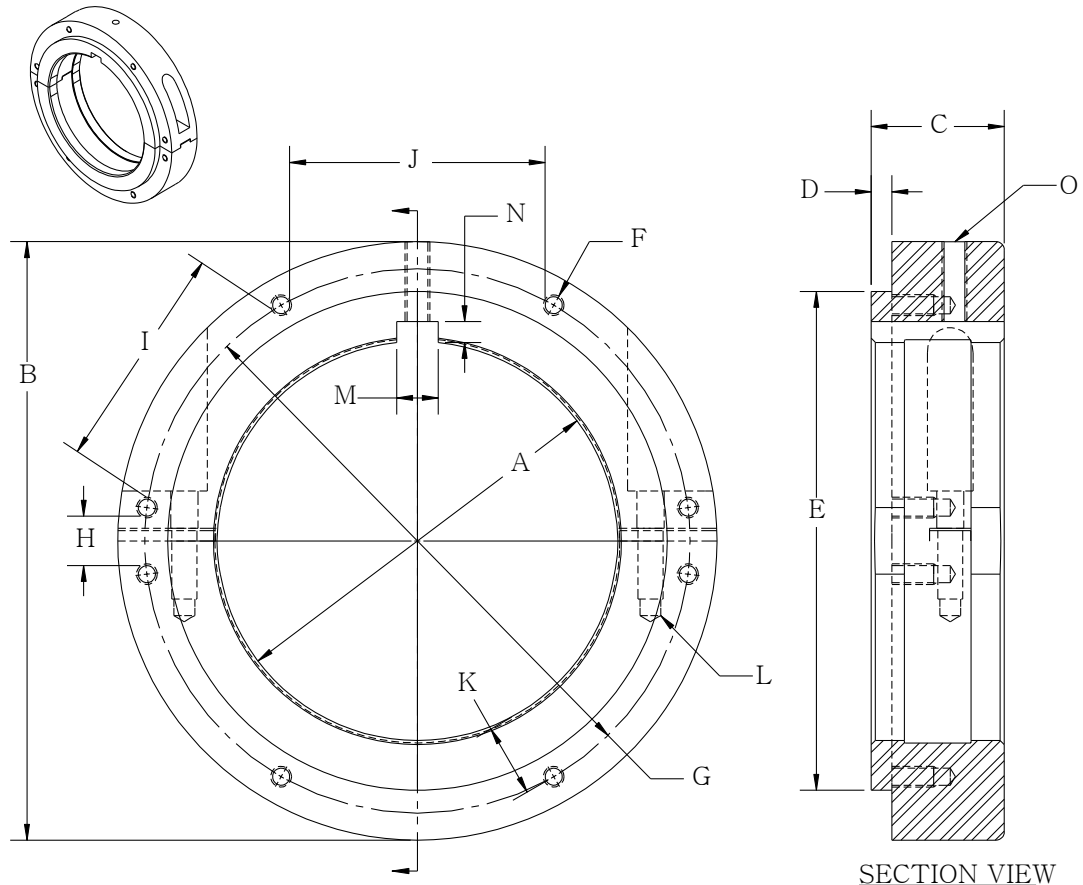
M. _____ N. _____

5) Is there a Set Screw? _____ O. _____



WHEN IT'S MAKE OR BREAK.™

5200 Zenith Parkway • Loves Park, IL 61111
Tel: (800) 223-5202 • www.zenithcutter.com



How to use this form:

Please fill out this form to help us identify your collar. Once completed, please send this form to sales@zenithcutter.com or to your Zenith Cutter sales representative.