

CORRUGATED ROUND KNIFE IDENTIFICATION



WHEN IT'S MAKE OR BREAK.™

MACHINE NAME: _____

MACHINE MODEL: _____

MACHINE SIZE: _____

OEM# (if available): _____

5200 Zenith Parkway • Loves Park, IL 61111
Tel: (800) 223-5202 • www.zenithcutter.com

1.) Note any part numbers or markings on the blade:

2.) Is blade solid or in halves?

Please complete the following information:

- A. _____
- B. _____
- C. _____

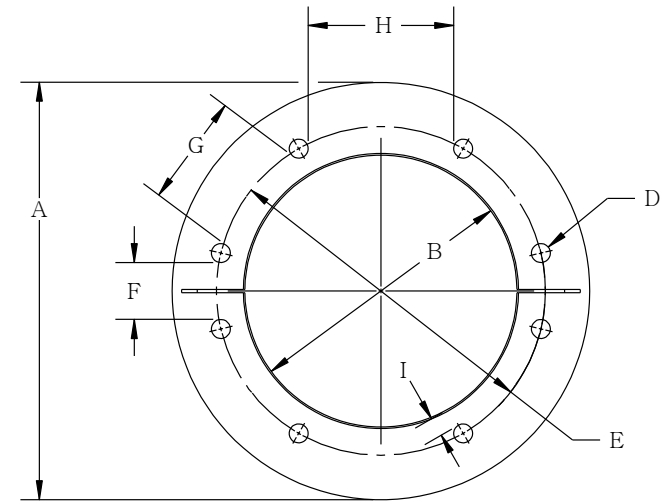
3.) Hole information:
Quantity of holes? _____

Are they through holes or tapped _____

- D. _____
- E. _____
- F. _____
- G. _____
- H. _____
- I. _____

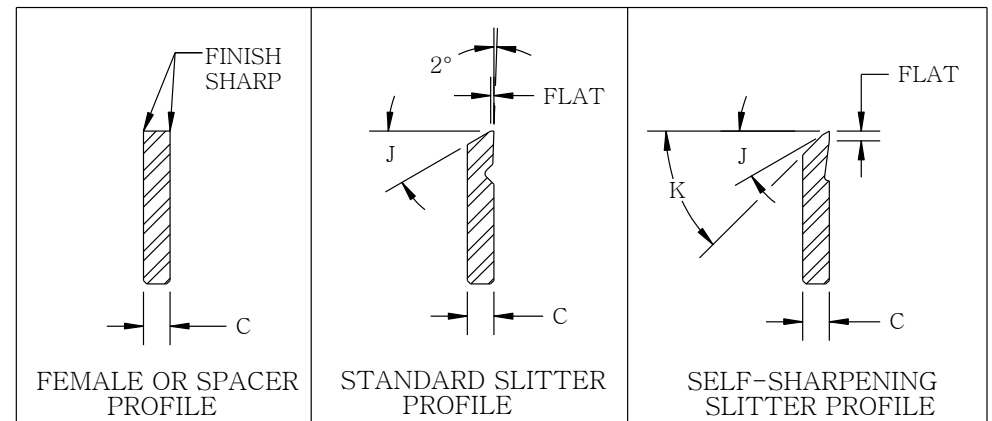
4.) Profile type _____

- J. _____
- K. _____



PLEASE SKETCH OR NOTE ANY ADDITION FEATURES

ROUND BLADE PROFILES



How to use this form:

Please fill out this form to help us identify your round knife. Once completed, please send this form to sales@zenithcutter.com or to your Zenith Cutter sales representative.