



**CONVERTING** PRODUCTS



**ZENITH CUTTER CO.**

## High-quality, cost-competitive, reliable.

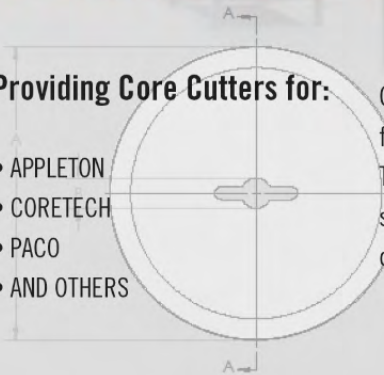
Zenith Cutter Co. has been the premium provider of high-quality knives to the Converting Industry for nearly 20 years. Zenith knives are manufactured to meet/exceed OEM specifications. Whether you process film, foil, tissue or paper, Zenith offers standard or custom knives manufactured from the highest alloy steels, to address your processing requirements. Strict quality control ensures precise metallurgical compositions, tempering and tolerances providing our customers fast equipment set-ups, exact cutting and maximum durability.

To minimize your downtime and inventory costs, Zenith Cutter Co. maintains an extensive inventory. Zenith also manufactures custom knives to your specifications.

# CORE CUTTERS

## Providing Core Cutters for:

- APPLETON
- CORETECH
- PACO
- AND OTHERS



Our Core Cutters are heat-treated for toughness and wear resistance. They are manufactured to the highest standards to ensure excellent cutting quality and maximum life.



# CRUSH/SCORE SLITTERS

## Providing Slitters for:

- CAMERON
- DUSENBERRY
- DIDDE GLASER
- WESTERN GEAR
- KIDDER
- AND OTHERS



Our Slitters are made from tool steels thru-hardened for long life. They are available with various cutting radii and perforation configurations to address your specific processing needs.



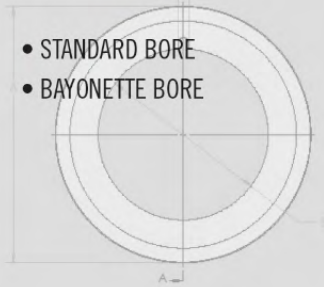
ZENITH CUTTER CO.®



# DISH BLADES

Available in:

- STANDARD BORE
- BAYONETTE BORE



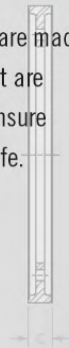
# BOTTOM KNIVES

Available in:

- FREE LOCKING
- SELF ECCENTRIC LOCKING
- SET SCREW LOCKING
- T SHAPE



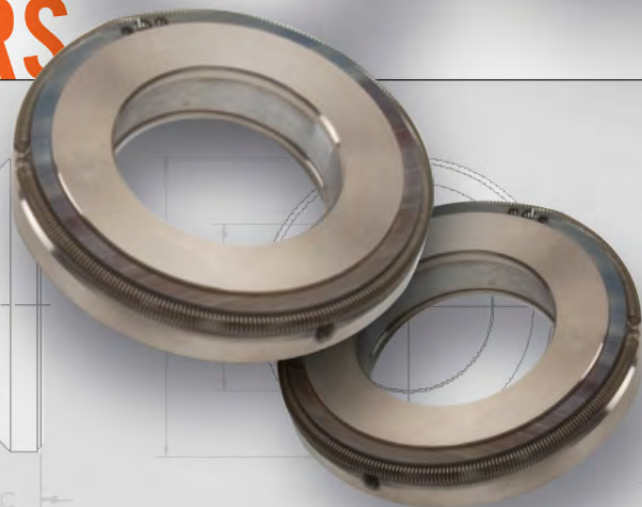
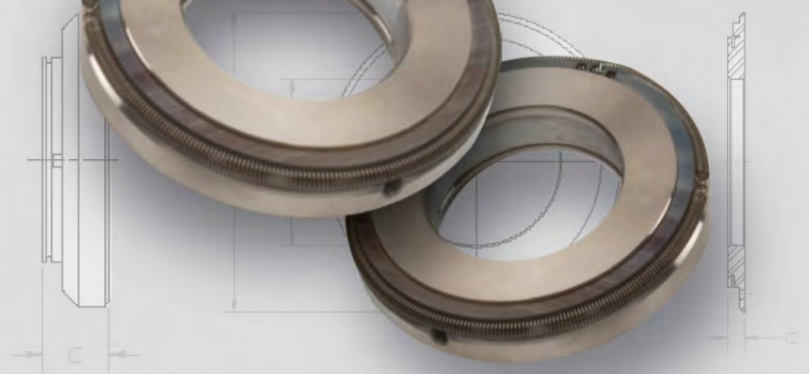
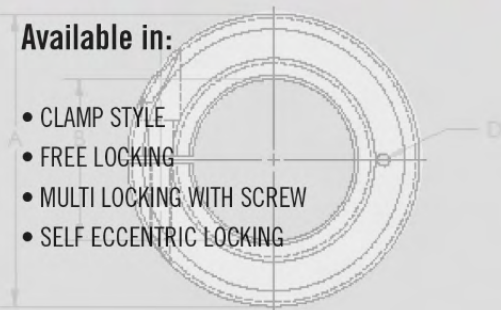
Our Bottom Knives are made from tool steels that are thru-hardened to ensure maximum service life.

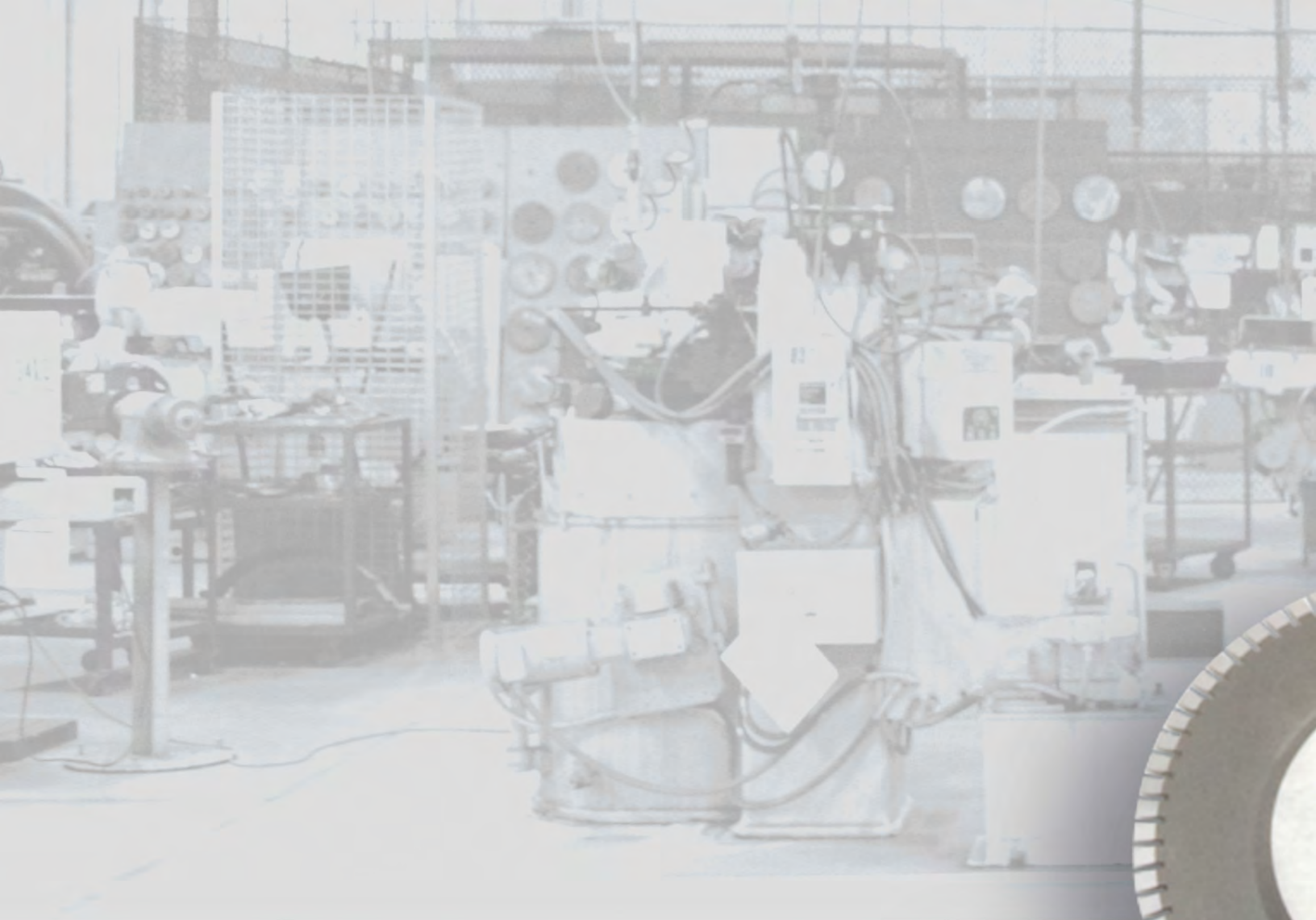


# KNIFE HOLDERS

Available in:

- CLAMP STYLE
- FREE LOCKING
- MULTI LOCKING WITH SCREW
- SELF ECCENTRIC LOCKING





**ZENITH CUTTER CO.**

**Zenith Cutter Co.**

5200 Zenith Parkway  
Loves Park, Illinois, USA 61111  
Tel: 815-282-5200  
Fax: 815-282-5232  
US: 800-223-5202  
[www.zenithcutter.com](http://www.zenithcutter.com)

**ZC International, LTD**

Road 19, Tan Thuan Export Zone  
District 7, Ho Chi Minh, Vietnam  
Tel: 84-8-770 1688  
Fax: 84-8-770 1690