

# EVOL<sup>®</sup> 100

*Best in Class.*

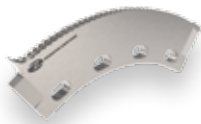
**KNIFE  
GUARANTEE**



## STANDARD MALE SLOT KNIVES



**FEATURING WOLVERINE**  
LEARN MORE ABOUT WOLVERINE  
[WWW.ZENITHCUTTER.COM/WOLVERINE](http://WWW.ZENITHCUTTER.COM/WOLVERINE)



7 INCH LEAD KNIFE	
PART #	M971227-S M971227
DESCRIPTION	MALE SLOT KNIFE WITH TIP
OEM#	YSE5090C-01



TRAIL KNIFE	
PART #	M971228-S M971228
DESCRIPTION	MALE SLOT KNIFE WITH TIP
OEM#	YSE5090C-02



4 INCH LEAD JOINER KNIFE	
PART #	M971229-S M971229
DESCRIPTION	MALE SLOT KNIFE
OEM#	YSE5090C-03



TRAIL JOINER KNIFE	
PART #	M971230-S M971230
DESCRIPTION	MALE SLOT KNIFE
OEM#	YSE5090C-04



ALL TIP KNIVES  
COME STANDARD  
WITH SERRATED TIP.



**ZENITH CUTTER**  
A FISHER BARTON COMPANY

**WHEN IT'S MAKE OR BREAK.<sup>™</sup>**



# EVOL® 100

## GLUE HEAD MALE SLOT KNIVES



7 INCH LEAD KNIFE	
PART #	M971231-S M971231
DESCRIPTION	STITCH TIP KNIFE WITH BEVEL
OEM#	YSE5091A-01



TRAIL KNIFE	
PART #	M971232-S M971232
DESCRIPTION	STITCH TIP KNIFE WITH BEVEL
OEM#	YSE5091A-02



4 INCH LEAD JOINER KNIFE	
PART #	M971233-S M971233
DESCRIPTION	STITCH KNIFE
OEM#	YSE5091A-03



TRAIL KNIFE	
PART #	M971234-S M971234
DESCRIPTION	STITCH KNIFE
OEM#	YSE5091A-04



4 INCH LEAD JOINER KNIFE	
PART #	M971235-S M971235
DESCRIPTION	STITCH KNIFE WITH BEVEL
OEM#	YSE5091A-05

## FEMALE SLOT KNIVES



PART #	F1911	F1683	F1754
DESCRIPTION	THRU HOLES FEMALE	TAPPED HOLES STITCH HEAD ONLY	SPACER
DIMENSIONS	11.113 X 7.875 X .394	11.113 X 7.875 X .394	9.134 X 7.875 X .378
OEM#	62-09336-A	62-09336-B	62-13093-I

## TRIM KNIVES



PART #	G1742	G1742-1	G1821
DESCRIPTION	UPPER TRIM KNIFE	UPPER TRIM MOUNTING STRAP	LOWER TRIM KNIFE
DIMENSIONS	13.642 X 10.237 X .276	4.282 X .965 X .172	11.280 X 7.875 X .394
OEM#	YSE1689-01	YSE1689-02	62-09119-B

## STITCH ANVILS



PART #	A151	A173
DESCRIPTION	.590 BOLT FLANGE	.650 BOLT FLANGE
DIMENSIONS	11.113 X 7.954 X 1.969	11.113 X 7.954 X 1.969
OEM #	62-09118	62-09118G

## URETHANE BLANKETS



### BARLOCK

PART #	ZU8425
DESCRIPTION	DIE CUT ANVIL
DIMENSIONS	.393 X 10.472
OEM#	

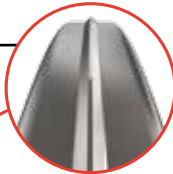
EQUALIZER IS A REGISTERED TRADEMARK OF DICAR®

## TAB KNIVES AND ACCESSORIES



PART #	ZJ2034	ZU0805-A18	ZU4591E
DESCRIPTION	TAB KNIFE	SHOCK PAD	TAB EJECTION PAD "PLATE"
DIMENSIONS	1.811 X .453 X .118	1.732 X .866 X .118	4.291 X 1.811 X .250
OEM#	YSE4720-A	YSA0805-A18	YSE4591-E

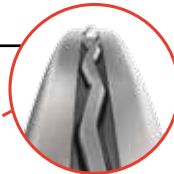
## SCORE RINGS



CONTACT ZENITH SALES

"A" PROFILE

## SCORE RINGS



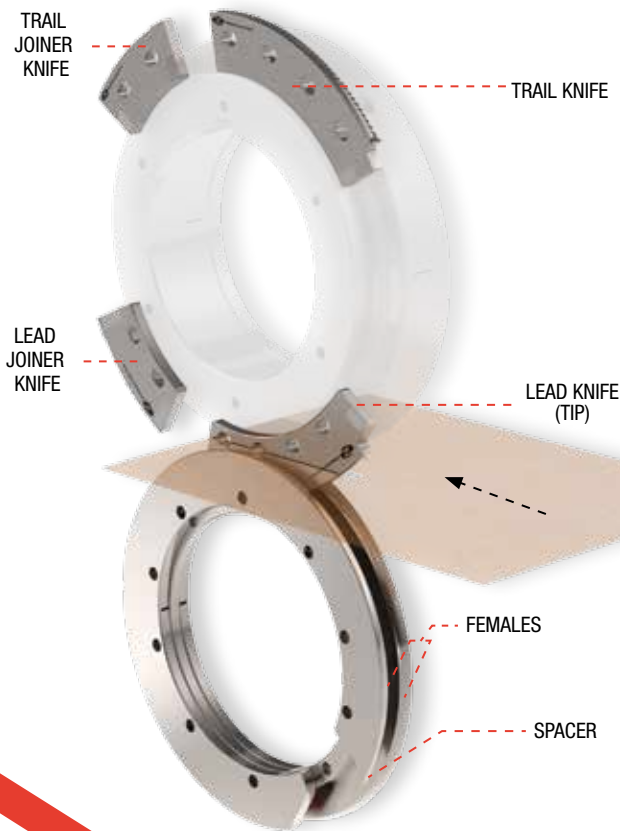
CONTACT ZENITH SALES

WAVY "A" PROFILE

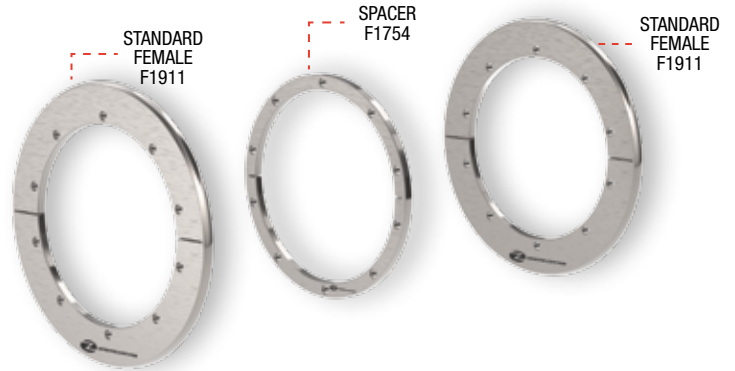
FOR A FULL LIST OF ZENITH PRODUCTS, CALL 800-223-5202

# EVOL<sup>®</sup> 100

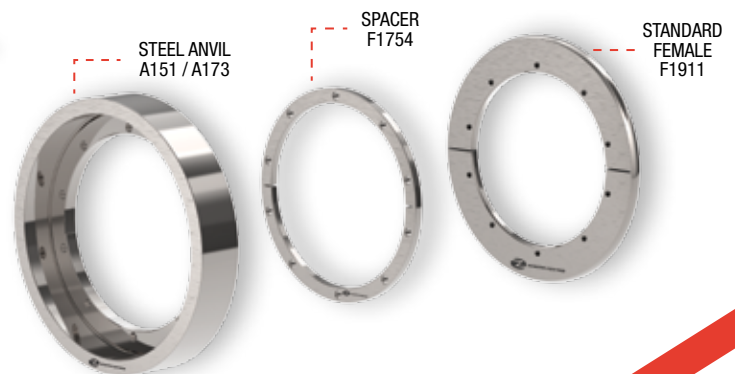
## UPPER & LOWER SHAFT ASSEMBLY



## STANDARD FEMALE ASSEMBLY



## GLUEHEAD FEMALE ASSEMBLY



### BEST IN CLASS. GUARANTEED.

We guarantee our knives will perform, as well or better than the rest. Why? Because making knives is what we do and we do it better than anyone else. Through extensive engineering and research, we make the best knives on the planet.

*Best in Class.*

**KNIFE  
GUARANTEE**



**ZENITH CUTTER**  
A FISHER BARTON COMPANY

**WHEN IT'S MAKE OR BREAK.™**

5200 Zenith Parkway  
Loves Park, IL 61111

815.282.5200  
800.223.5202 (US)  
800.228.5206 (Canada)

zenithcutter.com

sales@zenithcutter.com