

EVOL[®] 84

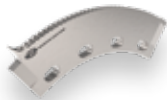
Best in Class.

**KNIFE
GUARANTEE**



FEATURING WOLVERINE
LEARN MORE ABOUT WOLVERINE
WWW.ZENITHCUTTER.COM/WOLVERINE

STANDARD MALE SLOT KNIVES



7 INCH		LEAD KNIFE	
PART #	M971136-S	M971136	
DESCRIPTION	MALE SLOT KNIFE WITH TIP		
OEM#	YSE4742C-01		



TRAIL KNIFE	
M971134-S	M971134
MALE SLOT KNIFE WITH TIP	
YSE4742C-02	



2.8 INCH		LEAD JOINER KNIFE	
PART #	M971135-S	M971135	
DESCRIPTION	MALE SLOT KNIFE		
OEM#	YSE4742C-03		



TRAIL JOINER KNIFE	
M971133-S	M971133
MALE SLOT KNIFE	
YSE4742C-04	



**ALL TIP KNIVES
COME STANDARD
WITH SERRATED TIP.**



ZENITH CUTTER
A FISHER BARTON COMPANY

EVOL[®] 84

▶ GLUE HEAD MALE SLOT KNIVES



7 INCH LEAD KNIFE

PART #	M971137-S	M971137
DESCRIPTION	BEVELED STITCH WITH TIP	
OEM#	YSE4742C-01	



TRAIL KNIFE

M971140-S	M971140
BEVELED STITCH WITH TIP	
YSE4743C-02	



2.8 INCH LEAD JOINER KNIFE

PART #	M971138-S	M971138
DESCRIPTION	STITCH KNIFE	
OEM#	YSE4743C-03	



TRAIL JOINER KNIFE

M971139-S	M971139
STITCH KNIFE	
YSE4743C-04	

▶ FEMALE SLOT KNIVES



PART #	F1911	F1683	F1754
DIMENSIONS	11.113 X 7.875 X .394	11.113 X 7.875 X .394	9.134 X 7.875 X .378
OEM#	62-09336-A	62-09336-B	62-13093-I
CATEGORY	THRU HOLES FEMALE	TAPPED HOLES STITCH HEAD ONLY	SPACER

▶ TRIM KNIVES



PART #	G1817	G1817-1	G1821
DESCRIPTION	UPPER TRIM KNIFE	UPPER TRIM MOUNTING STRAP	LOWER TRIM KNIFE
DIMENSIONS	12.313 X 9.056 X .276	3.878 X .965 X .172	11.280 X 7.875 X .394
OEM#	YSE3448-A	YSE3448-A	62-09119-B

▶ STITCH ANVILS



A151
.590 BOLT FLANGE STEEL ANVIL
11.113 X 7.954 X 1.969
62-09118

▶ URETHANE BLANKETS



BARLOCK

PART #	ZU8364
DESCRIPTION	DIE CUT ANVIL
DIMENSIONS	.393 X 10.472
OEM#	



KNUCKLE LOCK

PART #	ZU80852
DESCRIPTION	DIE CUT ANVIL
DIMENSIONS	.393 X 10.472
OEM#	YDE0897

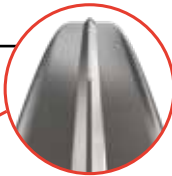
EQUALIZER IS A REGISTERED TRADEMARK OF DICAR®

▶ TAB KNIVES AND ACCESSORIES



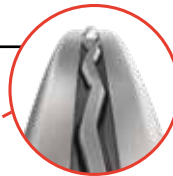
PART #	ZJ2034	ZU0805-A18	ZU4591E
DESCRIPTION	TAB KNIFE	SHOCK PAD	TAB EJECTION PAD "PLATE"
DIMENSIONS	1.811 X .453 X .118	1.732 X .866 X .118	4.291 X 1.811 X .250
OEM#	YSE4720-A	YSA0805-A18	YSE4591-E

▶ SCORE RINGS



CONTACT ZENITH SALES
"A" PROFILE

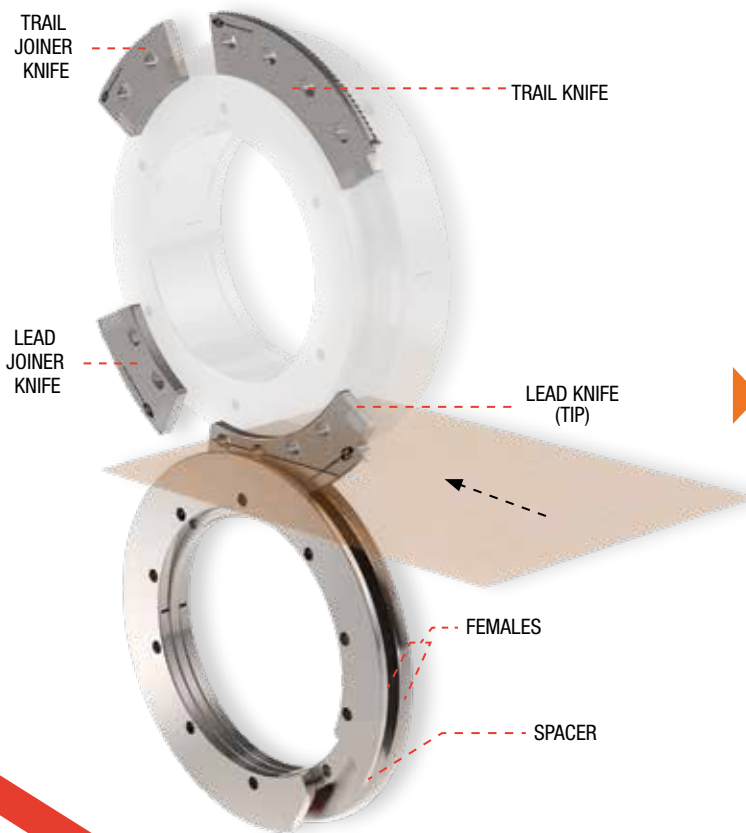
▶ SCORE RINGS



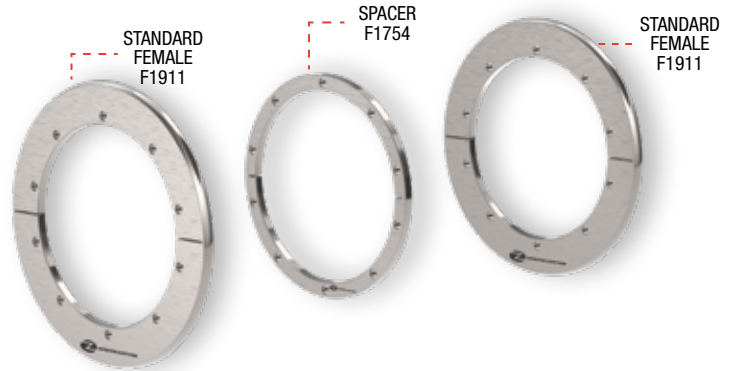
CONTACT ZENITH SALES
WAVY "A" PROFILE

EVOL[®] 84

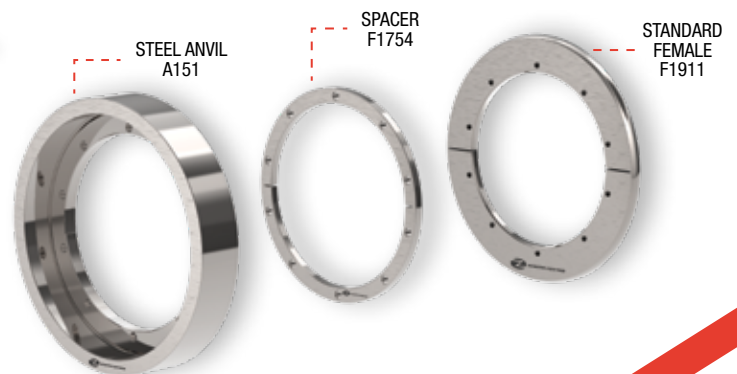
UPPER & LOWER SHAFT ASSEMBLY



STANDARD FEMALE ASSEMBLY



GLUEHEAD FEMALE ASSEMBLY



BEST IN CLASS. GUARANTEED.

We guarantee our knives will perform, as well or better than the rest. Why? Because making knives is what we do and we do it better than anyone else. Through extensive engineering and research, we make the best knives on the planet.

Best in Class.

**KNIFE
GUARANTEE**

5200 Zenith Parkway
Loves Park, IL 61111

815.282.5200
800.223.5202 (US)
800.228.5206 (Canada)

zenithcutter.com

sales@zenithcutter.com



ZENITH CUTTER
A FISHER BARTON COMPANY



SMITHERS
QUALITY ASSESSMENTS